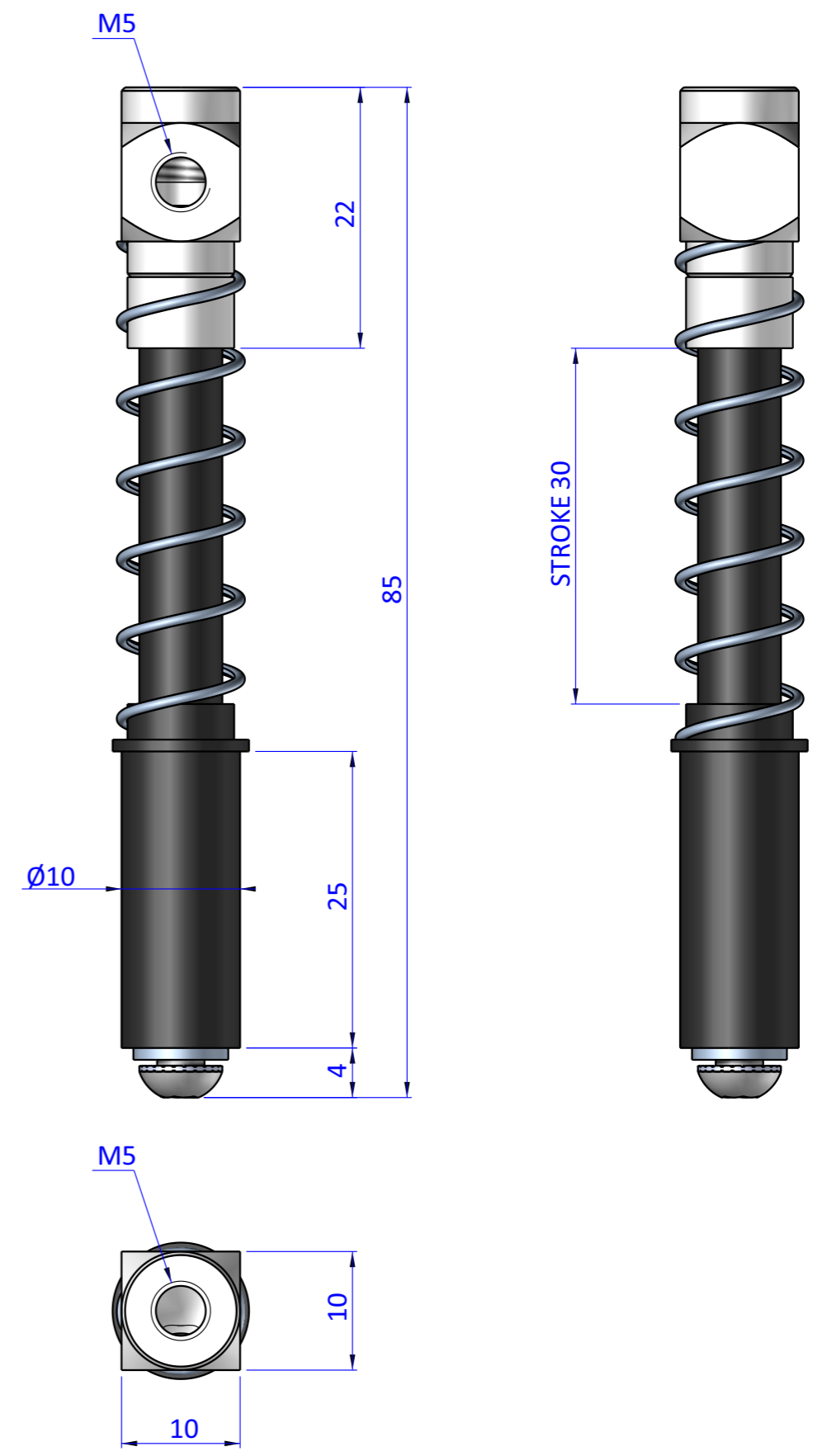
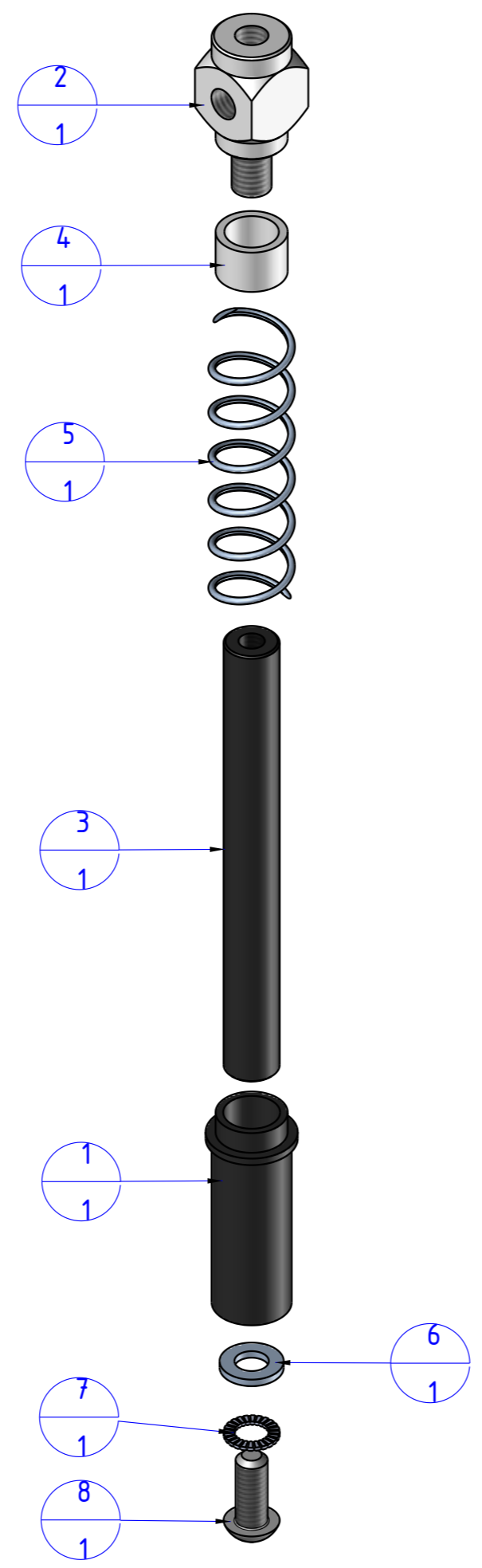



THE PROPERTY OF THE DRAWING IS ESTABLISHED BY LAW. IT IS FORBIDDEN TO PRODUCE OR SHOW IT TO THIRD PART. WITHOUT A WRITTEN AGREEMENT.

Item	Name	Q.ty
1	GGD.10.2	1
2	GGD.10.05.05	1
3	GGD.10.30	1
4	GGD.10.30.01	1
5	M.10X47	1
6	R.4	1
7	R.4.SCH	1
8	V.TBCE4X10.BUTT	1



Format A3
UNI 936-76

 FPS FPSERVICES AUTOMATION		DESIGNED FROM		REVIEW
		FPS Automation		A
GENERAL TOLERANCE		DATE		WEIGHT
UNI - ISO 2768		09/09/2020		0,015kg
CLASSE f		CODE		
		CA.GGD.10050530		CA.GGD.10050530